

Discontinued Molds

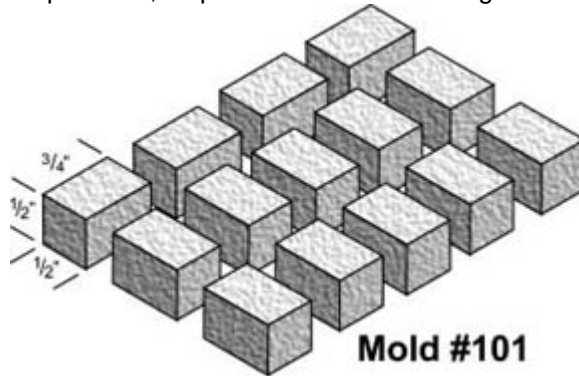
This list is provided as a reference only.

These molds have been **DISCONTINUED** and are **NO LONGER AVAILABLE** to purchase

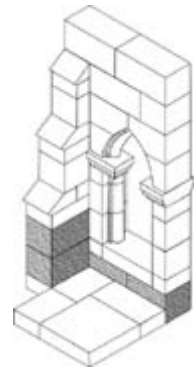
Basic Block 3/4"x1/2"x1/2"

Mold #101

Used for building simple walls, steps and structures. Also good for filling in odd sized spaces.



Mold #101

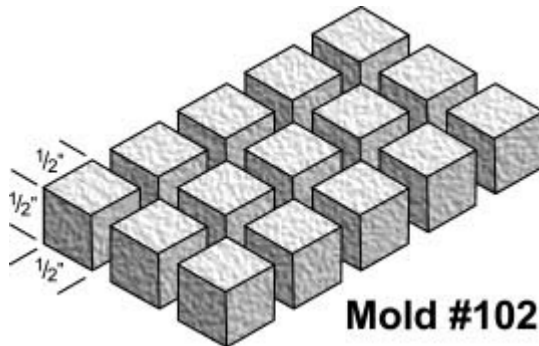


~~Price \$21.00~~

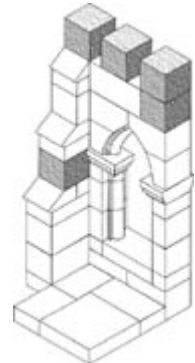
Basic Block 1/2"x1/2"x1/2"

Mold #102

Excellent for castle crenellations. Also aids in wall building.



Mold #102

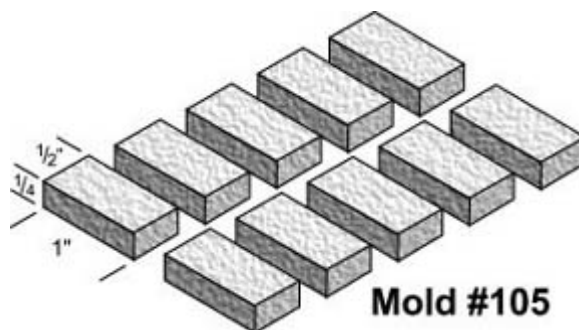


~~Price \$21.00~~

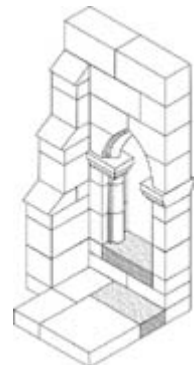
Floor Tiles 1"x1/2"x1/4"

Mold #105

Used for floor tiles and steps. Also excellent for filling in hard to fit areas.



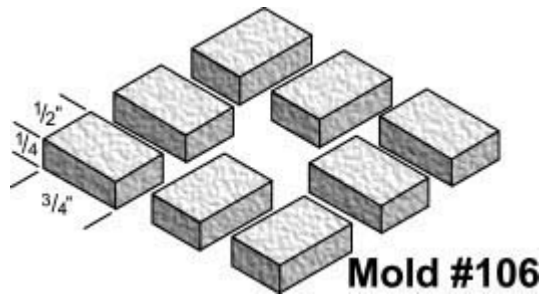
Mold #105



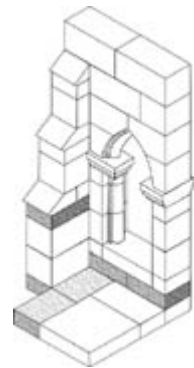
~~Price \$21.00~~

Floor Tiles 3/4"x1/2"x1/4"

Used for floor tiles and steps. Also excellent for filling in hard to fit areas.



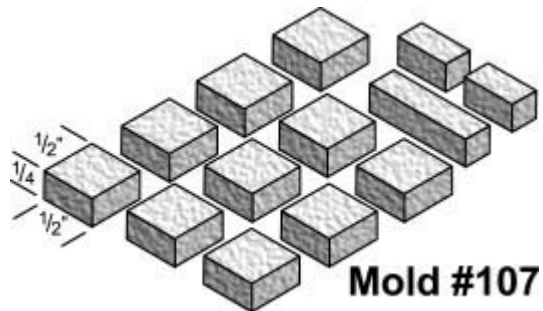
Mold #106



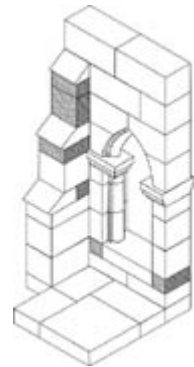
~~Price \$21.00~~

Floor Tiles 1/2"x1/2"x1/4"

Used for floor tiles and steps. Also excellent for filling in hard to fit areas.



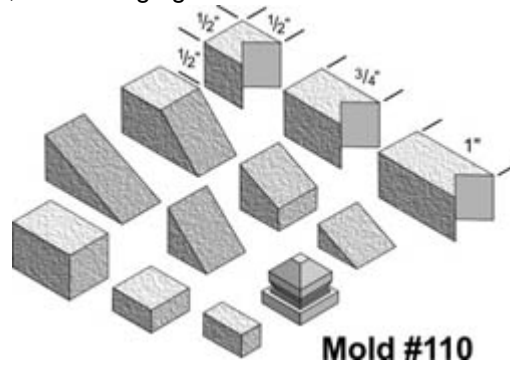
Mold #107



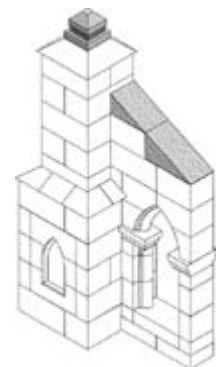
~~Price \$21.00~~

Assorted Blocks

Used for roof edges, corner edging and decoration.



Mold #110

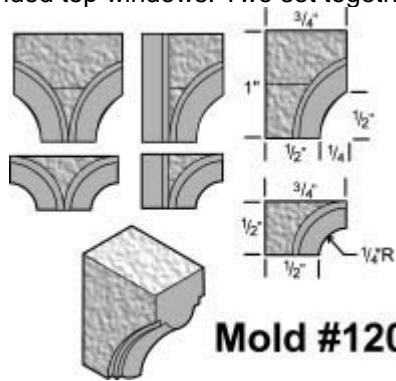


~~Price \$21.00~~

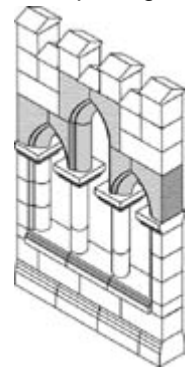
Window Arches 1/4" Radius

Mold #120

Used for arched and rounded top windows. Two set together will create a 1/2" wide window opening.



Mold #120

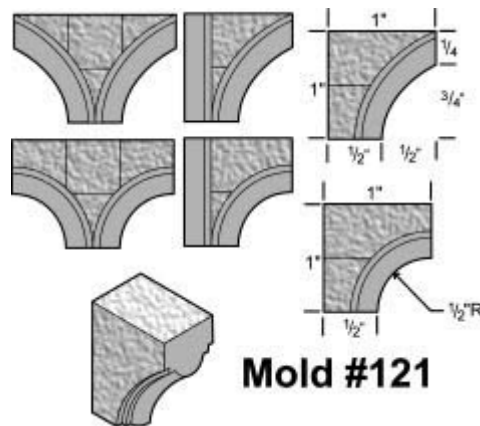


~~Price \$21.00~~

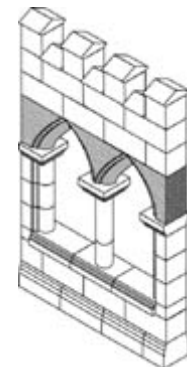
Window Arches 1/2" Radius

Mold #121

Used for arched and rounded top windows. Two set together will create a 1" wide window or door opening.



Mold #121

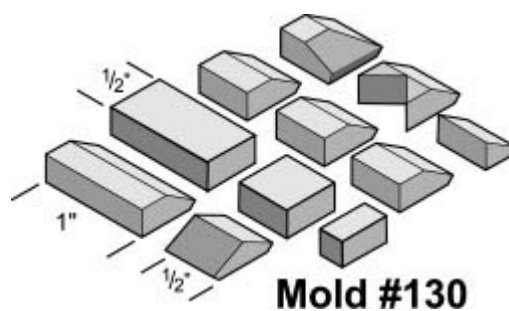


~~Price \$21.00~~

Decorative Caps

Mold #130

Used to finish tops of walls and crellenations. Also used to finish edges of wall supports.



Mold #130

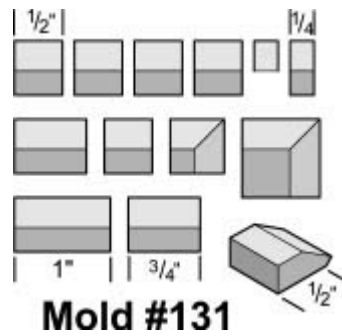


~~Price \$21.00~~

Decorative Caps

Mold #131

Used to finish tops of walls and crenellations. Also used to finish edges of wall supports.



Mold #131

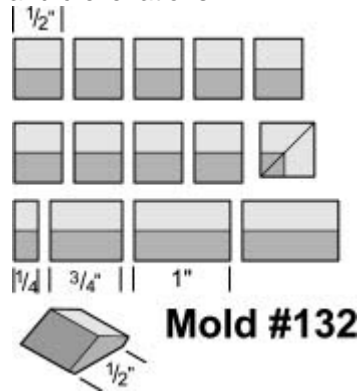


~~Price \$21.00~~

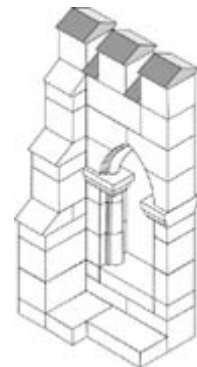
Decorative Caps

Mold #132

Used to finish tops of walls and crenellations.



Mold #132

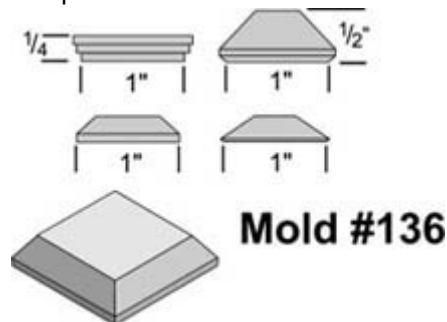


~~Price \$21.00~~

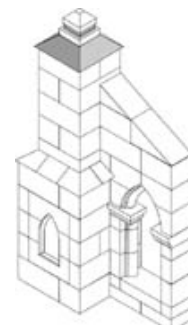
Decorative Top Caps

Mold #136

Used to finish the tops of square columns. Also used as a base for statues.



Mold #136

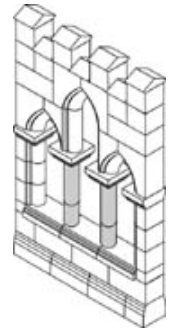
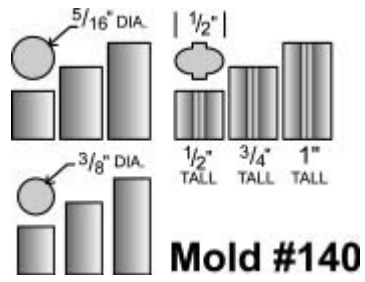


~~Price \$21.00~~

Columns or Pillars

Mold #140

Used to support centers of multiple windows.

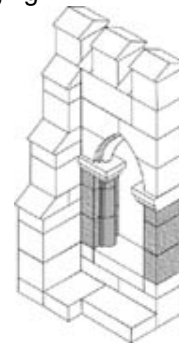
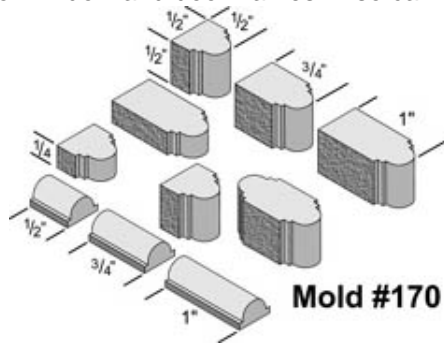


Price \$21.00

Window And Door Edging

Mold #170

Used for edges of window and door frames. Also can be used as decorative edging.



Price \$21.00